

Fig. A (Parallel Pattern)

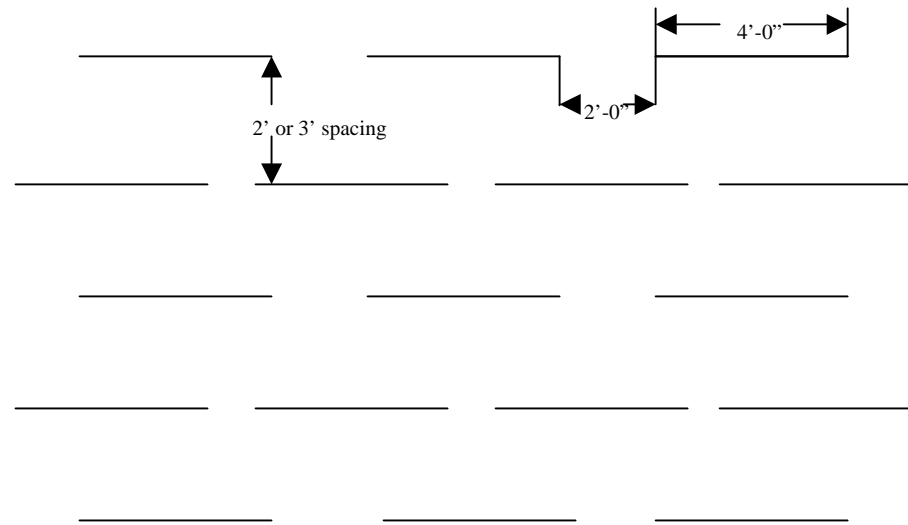


Fig. B (Checkerboard Pattern)

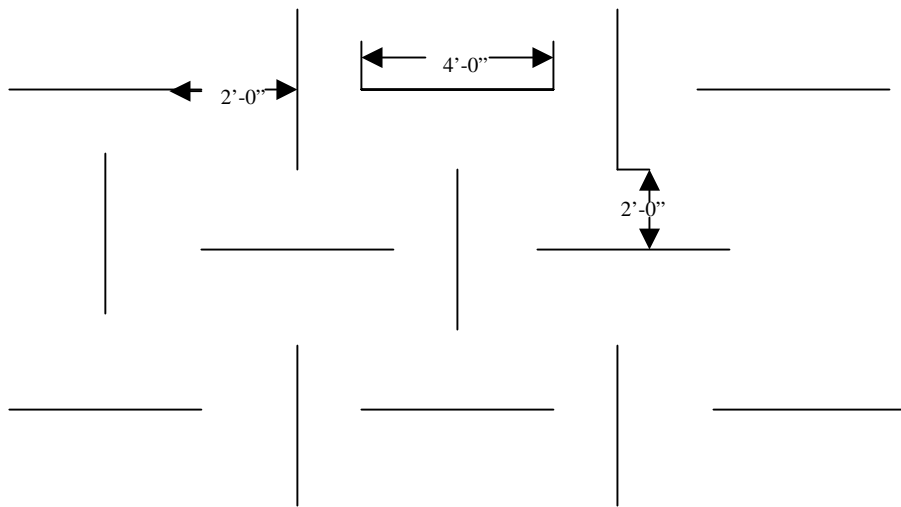


Fig. C (Alternating Pattern)

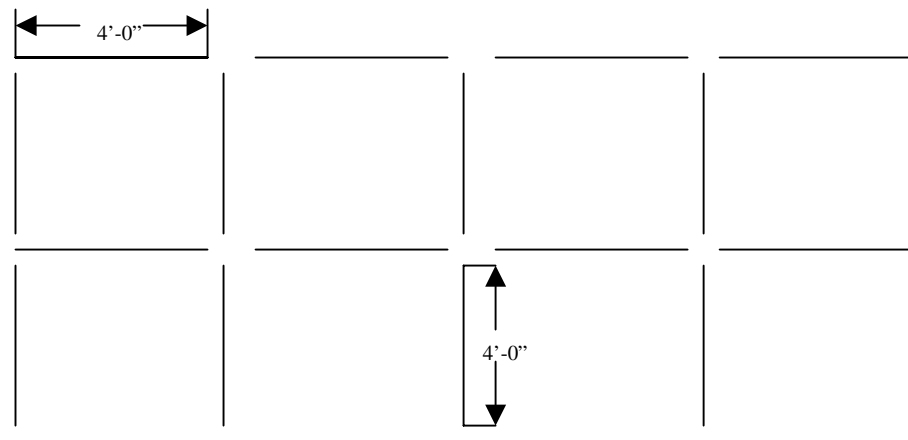
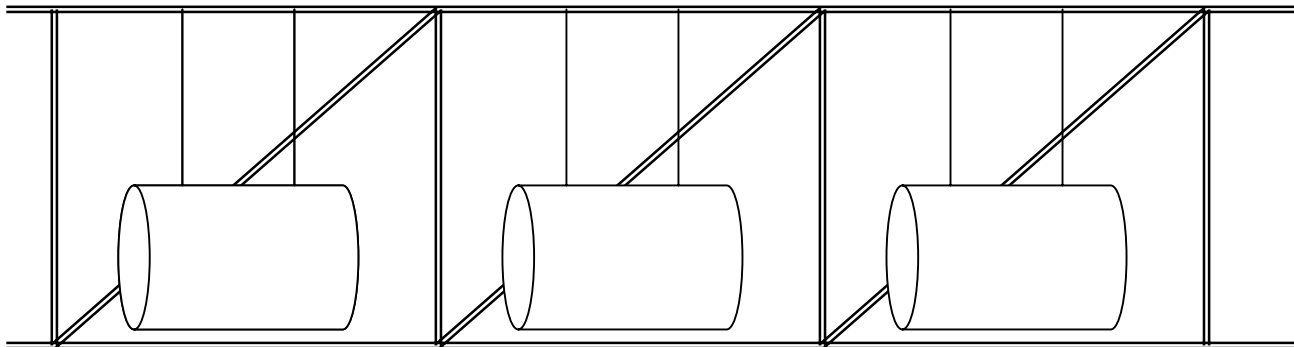


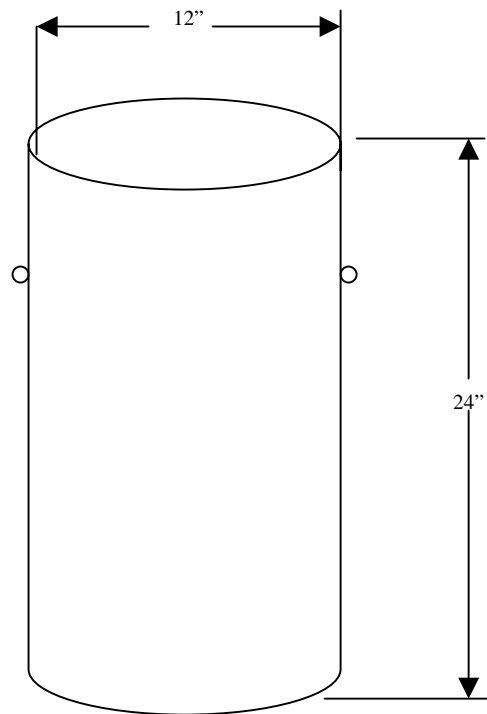
Fig. D (Box Pattern)

NOISEMASTER® RESONATOR / ECONOSORBER UNIT

Typical Mounting



Optional Vertical Mounting



Horizontal Mounting Standard

